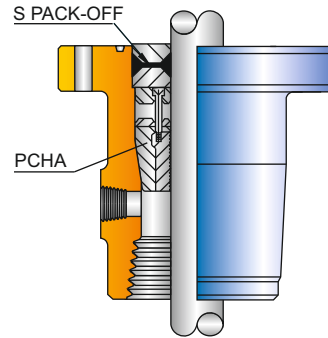


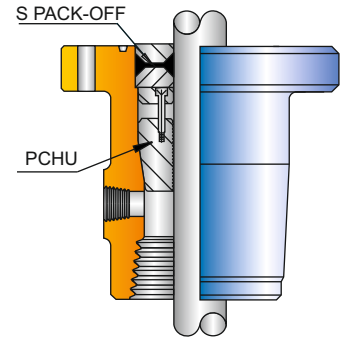
## CASING & TUBING HANGER

**Automatic Casing Hanger (PCHA)** is basically designed for heavy load service and is used for PARVEEN's Casing Head Housing 'PCHH' and Casing Head Spool 'PCHS' described earlier. When the Casing load is applied to the hanger, the top ring connected by the Pack-off and shoulder screw compresses the packing to seal the annulus pressure of the casing. This casing hanger is normally used for pressure ratings up to 3000 PSI. For ratings over 3000 PSI, type 'PSPO' Pack-off is used to prevent collapse of the pipe.

**Unitised Casing Hanger (PCHU)** can be used both for PARVEEN's Casing Head Housing (PCHH) and Casing Head Spool (PCHS) as described earlier. This Hanger is designed for medium or heavy load service. This hanger is normally latched around the pipe and lowered in casing head body. After the casing is landed, shoulder screws should be evenly tightened to affect a positive annular seal. The hanger may be used up to 3000 PSI WP. For ratings over 3000 PSI, 'PSPO' Pack-off is used to prevent collapse of the pipe.

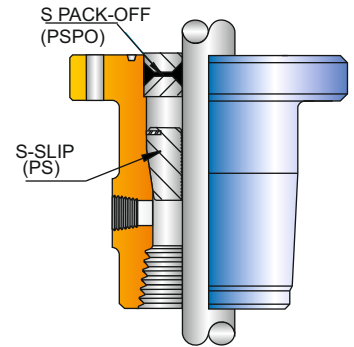


*Type 'PCHA' Automatic Casing Hanger with Slip Seal Assy*



*Type 'PCHU' Unitised Casing Hanger with Slip Seal Assy*

**Casing Hanger -** PARVEEN Casing Hangers are basically 2 types, i.e. Automatic Casing Hanger (PCHA) and Unitised Casing Hanger (PCHU). S-Slips (PS) and S-Pack off (PSPO) assembly are also shown.



*Type S-Slip (PS) Casing Hanger with S-Pack-off (PSPO) and S-Slip*

### SPECIFICATIONS OF PARVEEN'S CASING HANGER

Nominal Flange Size	Casing Size												
	4 1/2	5	5 1/2	6 5/8	7	7 5/8	8 5/8	9 5/8	10 3/4	11 3/4	13 3/8	16	
9	PCHA PCHU	PCHU	PCHA PCHU										
11	PCHA PCHU	PCHA PCHU	PCHA PCHA	PCHA PCHU	PCHA PCHU	PCHA PCHU	PCHA						
13 5/8					PCHA PCHU	PCHA PCHU	PCHA PCHU	PCHA PCHU	PCHA				
16 3/4								PCHU	PCHA PCHU	PCHA			
20 3/4 & 21 1/4											PCHA PCHU		

Nominal Flange Size	Casing Size												
	4 1/2	5	5 1/2	6 5/8	7	7 5/8	8 5/8	9 5/8	10 3/4	11 3/4	13 3/8	16	
9	PS	PS	PS										
11	PS PSPO	PS PSPO	PS PSPO	PS PSPO	PS PSPO	PS PSPO	PS						
13 5/8			PS PSPO	PS PSPO	PS PSPO	PS PSPO	PS PSPO	PS PSPO	PS				
16 3/4								PS PSPO	PS PSPO		PS PSPO		
20 3/4 & 21 1/4									PS PSPO		PS PSPO	PS PSPO	

**PCHA:** PARVEEN's Automatic Casing Hanger, **PS:** PARVEEN's S - Slip,  
**PCHU:** PARVEEN's Unitised Casing Hanger, **PSPO:** PARVEEN's S - Pack-off.