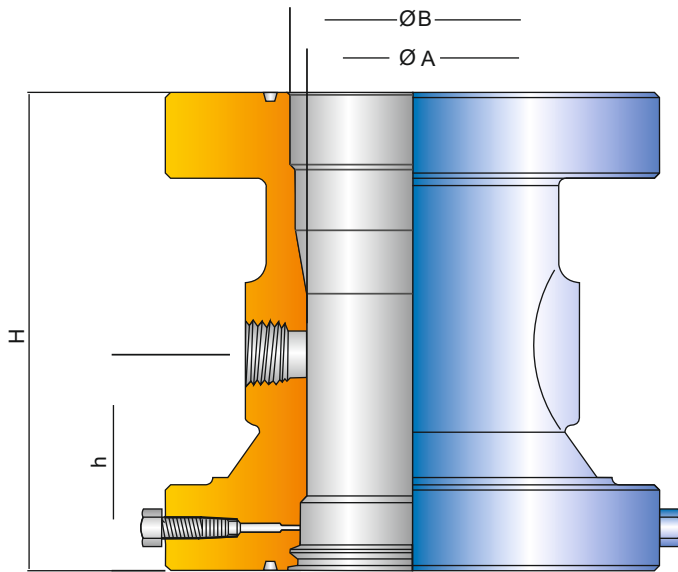


CASING HEAD SPOOL



PARVEEN Casing Head Spool (PCHS)

PARVEEN's Casing Head Spool (PCHS) accepts automatic (PCHA) and unitised (PCHU) casing hangers. Standard outlets are 2 1/16", 2000-10000 PSI WP. Studded or flanged outlets can also be furnished with threaded 2" Line pipe connection. Studded or flanged outlets have internal threads for valve removal plugs. Bottom of the flange is designed for installation on the bit guides and PARVEEN type PBP -1 & PBP - 2 bottom pack-off, CROSSOVER SEAL (PP Seal over 5000 PSI WP) and is provided with a plastic packing injection port with bleeder outlet and a test port. For high pressure (over 3000 PSI W.P) the type 'PSPO' pack-off is used at the top of the casing hanger to prevent collapse of the casing pipe. Hold down screws can be furnished on request.

PARVEEN CASING HEAD SPOOL (PCHS) DIMENSIONS					
Flange Sizes		Dimensions			
Bottom	Top	Overall Height(H)	Height Of Side Outlets (h)	Minimum Bore (ØA)	Top Flange Bore (ØB)
11 X 2000	11 X 2000	20 1/8	10 1/16	8	10 31/32
11 X 2000	11 X 3000	20 5/8	10 1/16	8	10 31/32
11 X 3000	11 X 3000	21	10 1/2	8	10 31/32
11 X 3000	11 X 5000	23 3/4	10 5/8	8	10 31/32
11 X 5000	11 X 5000	25 1/2	12 3/8	8	10 31/32
13 5/8 X 2000	11 X 2000	20 1/4	10 3/16	9 15/16	10 31/32
13 5/8 X 2000	11 X 3000	20 3/4	10 3/16	9 15/16	10 31/32
13 5/8 X 3000	11 X 3000	21 1/2	11	9 15/16	10 31/32
13 5/8 X 3000	11 X 5000	25 1/8	12	9 15/16	10 31/32
13 5/8 X 5000	11 X 10000	25 1/2	12 3/8	9 15/16	10 31/32
16 3/4 X 2000	11 X 2000	21 1/8	11 1/16	9 15/16	10 31/32
16 3/4 X 2000	11 X 3000	22 3/4	10 3/4	9 15/16	10 31/32
16 3/4 X 3000	11 X 3000	24 5/16	12 5/16	9 15/16	10 31/32
16 3/4 X 3000	11 X 5000	26	12 3/8	9 15/16	10 31/32
16 3/4 X 2000	13 5/8 X 2000	21 1/4	11 1/16	12 1/2	13 19/32
16 3/4 X 3000	13 5/8 X 3000	22 7/8	11 15/16	12 1/2	13 19/32
16 3/4 X 3000	13 5/8 X 5000	27 1/16	11 15/16	12 1/2	13 19/32
21 1/4 X 2000	13 5/8 X 2000	22 1/16	11 7/8	12 1/2	13 19/32
21 1/4 X 2000	13 5/8 X 3000	23 3/4	11 3/8	12 1/2	13 19/32

NOTE :

All Dimensions are in Inches.