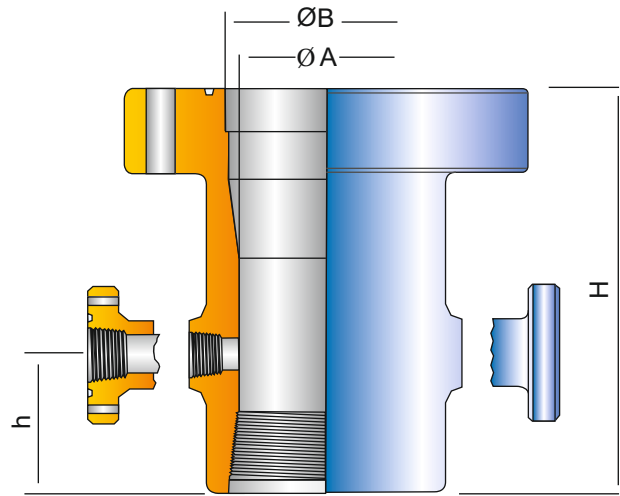


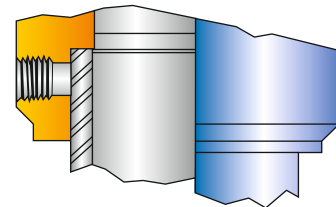
CASING HEAD

PARVEEN's 'PCH' Casing Head e.g. Casing Head Housing (PCHH) and Casing Head Spool (PCHS) accept Automatic Casing Hanger (PCHA), Unitised Casing Hanger (PCHU), S-Slips (PS) & S-Pack off (PSPO) assembly and can be furnished with female thread or slip-on weld lower connection. Standard outlets are 2" LINE PIPE threads or 2" API extended flanged with optional VR THREADS and end connection may be threaded or slip on weld type. Hold down screws to energize the annulus seal can be furnished on request.



PARVEEN Casing Head Housing (PCHH) Threaded Type

(Caution: Casing Hangers with attached seals which are not held down by hold down screws may be unseated when the annulus pressure multiplied by the annulus area exceeds the pipe load).



Slip-On Weld Conn

PARVEEN CASING HEAD HOUSING (PCHH) DIMENSIONS						
Rating	Top Flange Size	Casing Size	Total Height (H)	Height Of Side Outlets (h)	Thru Bore (Min fA)	Bore Top Flange (fB)
2000 PSI *	11	8 5/8	19	6 1/2	8 1/6	10 31/32
	11	9 5/8	19	6 1/2	9 1/8	10 31/32
	11	10 3/4	19	6 1/2	9 15/16	10 31/32
	13 5/8	11 3/4	19	6 1/2	9 15/16	10 31/32
	13 5/8	13 3/8	19	6 1/2	12 1/2	13 19/32
	16 3/4	16	18 1/8	6 1/2	15 3/8	16 11/16
	21 1/4	20	15 11/16	5	18 15/16	20 1/4
3000 PSI *	11	8 5/8	19	6 1/2	8 1/6	10 31/32
	11	9 5/8	19	6 1/2	9 1/8	10 31/32
	11	10 3/4	19	6 1/2	9 15/16	10 31/32
	13 5/8	11 3/4	19	6 1/2	11 3/8	13 19/32
	13 5/8	13 3/8	19	6 1/2	12 1/2	13 19/32
	16 3/4	16	18	6 1/2	15 3/8	16 11/16
	20 3/4	20	15 11/16	6 1/2	18 15/16	20 1/4
5000 PSI *	11	8 5/8	19	6 1/2	8 1/6	10 31/32
	11	9 5/8	19	6 1/2	9 1/8	10 31/32
	11	10 3/4	19	6 1/2	9 15/16	10 31/32
	13 5/8	13 3/8	19	6 1/2	12 1/2	13 19/32

NOTES:

- 1) All dimension are in inches.
- 2) Landing Bases are available with housings.
- 3) * Casing thread connection limits maximum working pressure rating (as per API-6A) to 5000 psi for 4 1/2" - 10 3/4" casing, to 3000 psi for 11 3/4" - 13 3/8" casing & to 2000 psi for 16" - 20" casing.