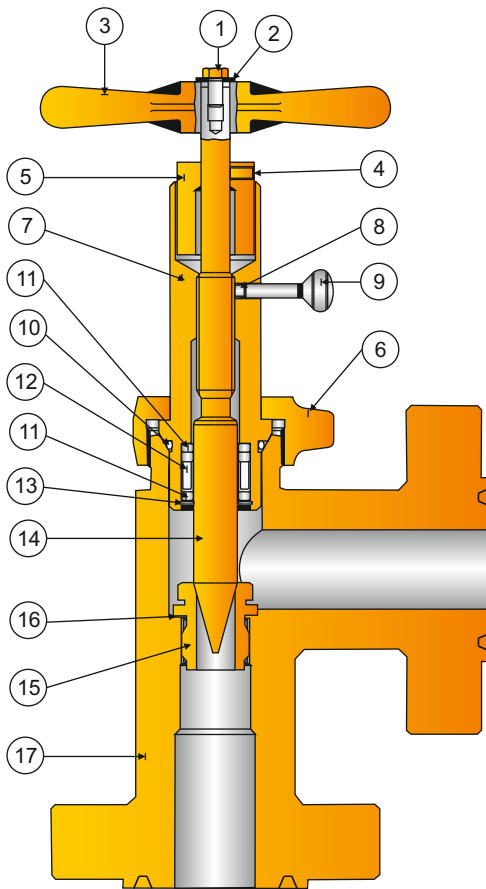


## CHOKE VALVE

### H2 TYPE CHOKE VALVE

PARVEEN manufacture both Positive and Adjustable chokes in pressure rating up to 15,000 psi WP. With different style of end connection.

Adjustable Chokes are meant for variable flow. It has externally controlled indicator showing orifice size in the increment of 1/64<sup>th</sup> inch. The variation in choke size is achieved by rotating hand wheel to obtain desired flow rate at down stream side



**Adjustable Choke**

PARVEEN Adjustable Chokes Contain following features:

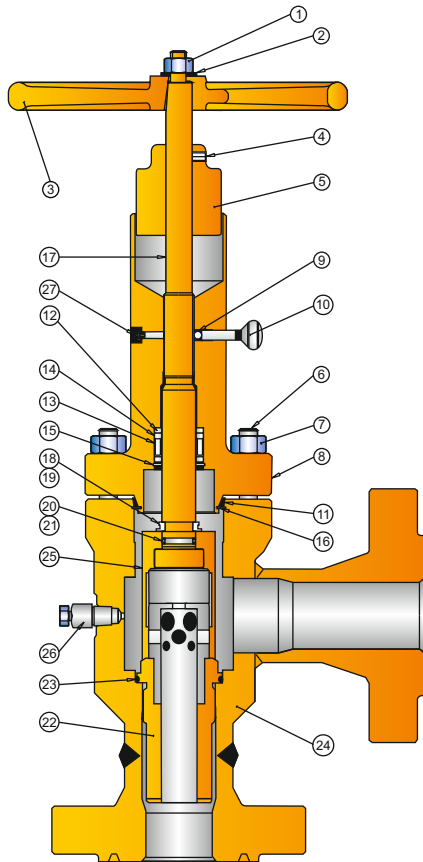
- Interchangeability of parts to construct a positive, adjustable, or combination choke.
- Bonnet nut has rugged integrally forged lugs for hammering nut loose.
- Built-in safety feature which releases residual pressure in the choke body before the nut is fully removed. The inside of the choke body is vented to atmosphere after the bonnet nut is partially removed.
- Interchangeability of component parts for a particular pressure range. For example, the same blanking plugs and bonnet assemblies are used in nominal 2" 2000 through 10,000 psi WP.
- Stainless steel adjustable choke needle and seat (Tungsten Carbide/ Ceramic lining needle and seat also available for severe service applications)

Different end connections (API / ANSI, flanged / Threaded) are available upon request.

Part List		
ITEM	DESCRIPTION	QTY.
1	HEX BOLT	1
2	WASHER	1
3	HANDLE	1
4	HEX. SOC. SET SOCIETY	1
5	INDICATOR	1
6	BONNET NUT	1
7	BONNET	1
8	NYLON PLUG	1
9	THUMB SCREW	1
10	'O' RING-BONNET	1
11	JUNK RING	2
12	'J' PACKING + BACK-UP RING	1
13	INT. RETAINER RING	1
14	NEEDLE	1
15	SEAT	1
16	GASKET	1
17	BODY	1

Size & WP	Max Orifice Dia
2 1/16 x 2000	25.4 MM
2 9/16 x 2000	50.8 MM
3 1/8 x 2000	50.8 MM
4 1/16 x 2000	76.2 MM
2 1/16 x 3000	25.4 MM
2 9/16 x 3000	50.8 MM
3 1/8 x 3000	50.8 MM
4 1/16 x 3000	76.2 MM
2 1/16 x 5000	25.4 MM
2 9/16 x 5000	50.8 MM
3 1/8 x 5000	50.8 MM
4 1/16 x 5000	76.2 MM
2 1/16 x 10000	25.4 MM
2 9/16 x 10000	50.8 MM
3 1/16 x 10000	50.8 MM
2 1/16 x 15000	25.4 MM
3 1/16 x 15000	50.8 MM

## CHOKE VALVE



**External Sleeve Control Choke**

### PARVEEN External sleeve control choke, (Model-ES)

PARVEEN External sleeve control chokes minimize erosion and improve flow characteristics suitably for erosive service and under high pressure drop, with sand concentration. It applies the principle of “flow Impingement” to dissipate and contain the destructive forces of cavitation, within the heavy duty thick walled cage of tungsten carbide .

#### Other features :

- Spring loaded pressure energized stem seal.
- Field proven metal bonnet seal .
- Dependable positive shut-off .

Size & WP	Max Orifice Dia
2.1/16 x 2000	25.4 mm
2.9/16 x 2000	50.8 mm
3.1/8 x 2000	50.8 mm
4.1/16 x 2000	76.2 mm
2.1/16 x 3000	25.4 mm
2.9/16 x 3000	50.8 mm
3.1/8 x 3000	50.8 mm
4.1/16 x 3000	76.2 mm
2.1/16 x 5000	25.4 mm
2.9/16 x 5000	50.8 mm
3.1/8 x 5000	50.8 mm
4.1/16 x 5000	76.2 mm
2.1/16 x 10000	25.4 mm
2.9/16 x 10000	50.8 mm
3.1/16 x 10000	50.8 mm
2.1/16 x 15000	25.4 mm
3.1/16 x 15000	50.8 mm

Part List		
ITEM	DESCRIPTION	QTY.
1	HEX NUT	1
2	WASHER	1
3	HANDWHEEL	1
4	HEX, SOC. SET SCREW	1
5	INDICATOR	1
6	STUD	8
7	NUT	8
8	BONNET	1
9	NYLON BALL	1
10	THUMB SCREW	1
11	RING-BONNET	1
12	JUNK RING	2
13	SEAL	1
14	BACK - UP RING - SEAL	1
15	INT. RETAINER RING	1
16	RETAINER RING - COIL TYPE	1
17	STEM	1
18	RING (2 HALVES) - STEM	1
19	INT. RETAINER RING	1
20	'O' RING	1
21	BACK-UP RING (SCARF CUT)	1
22	SEAT	1
23	SEAT SEAL	1
24	BODY	1
25	FLOW RING	1
26	BODY VENT FITTING	1
27	GREASE NIPPLE	1
28	RIVET TAG (NOT SHOWN)	4
29	NAME PLATE (NOT SHOWN)	1
30	FLANGE PROTECTOR (NOT SHOWN)	2

## CHOKE VALVE

### Positive Chokes & Beans

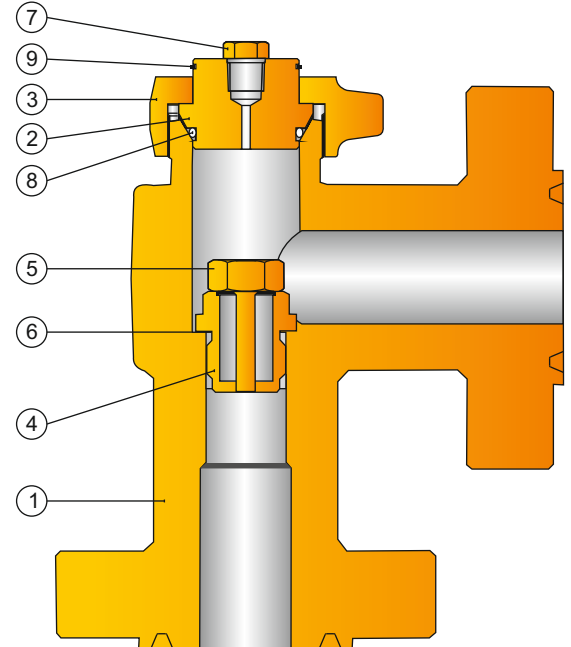
Positive Chokes accommodate fixed orifice dimensions. All PARVEEN Adjustable Chokes can be converted into Positive Chokes by replacing the bonnet assembly with an appropriate blanking plug assembly and choke bean .

### CHOKE BEANS :

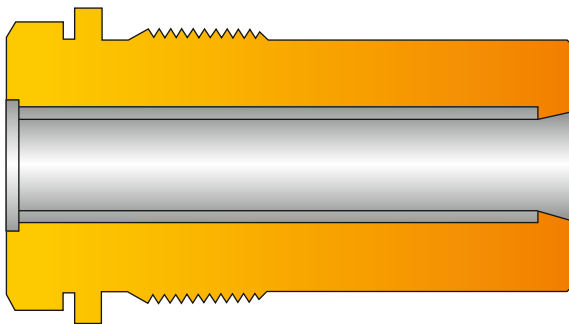
- PARVEEN choke beans are suitably hardened to maintain accuracy level for longer period.
- Tungsten Carbide lined choke Beans are available for high pressure drop and severe application

### BEAN WRENCH:

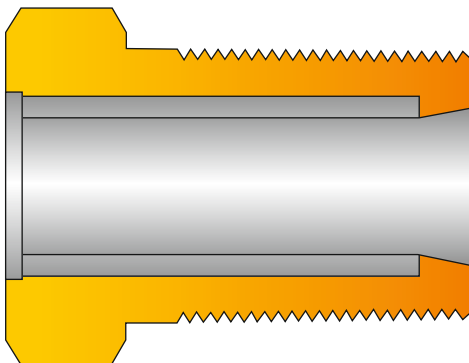
PARVEEN Bean Wrench come with hexagonal socket box for Bean Adapter and Bean separately. The Adjustable choke seat and Bean Adapter are accommodated in same wrench for a particular size .



**Positive Choke**



**Choke Bean (BJ Type)**



**Choke Bean (HJ Type)**

Part List		
ITEM	DESCRIPTION	QTY.
1	BODY	1
2	BONNET	1
3	BONNET NUT	1
4	BEAN ADAPTER	1
5	CHOKE BEAN	1
6	GASKET	1
7	PLUG (½" NPT)	1
8	'O' RING-BONNET	1
9	EXT. RETAINER RING	1