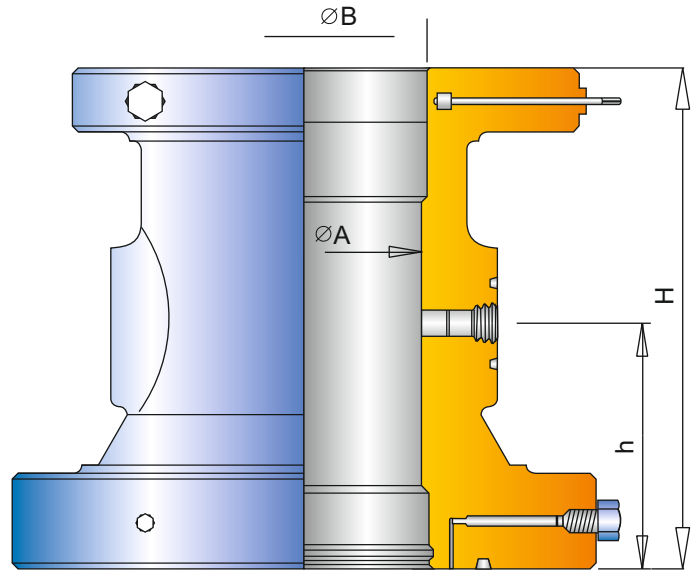


## TUBING HEAD

**PARVEEN's Tubing Head Spools (PTHS)** body have a straight bore with a 45 deg landing shoulder. While the top flange has hold down screws as standard equipment for securing tubing hanger, the bottom flange is designed for installation of PARVEEN's bottom pack - off PBP-1 & PBP - 2 (PP-seal for high pressure over 5000 PSI) and is provided with bit guide, a plastic packing injection port with bleeder outlet and a test port. This can accept Tubing Hangers Mandrel Type 'PTHSM', Wrap around type 'PTHSW' and Extended neck type 'PTHSE'.

Standard outlets are 2 1/16" 2000 -10000 PSI WP studded. Even 2" Line Pipe & Flanged outlets can also be provided. Studded outlets are threaded internally for the valve removal plugs. Top flange is provided with hold down screws to secure tubing hanger.



**PARVEEN's Tubing Head Spool (PTHS)**

<b>PARVEEN's Tubing Head Spool (PTHS) Dimension.</b>						
<b>Flange Sizes</b>		<b>Overall Height(H)</b>	<b>Height Of Side Outlets (h)</b>		<b>Minimum Bore (ØA)</b>	<b>Top Flange Bore (ØB)</b>
<b>Bottom</b>	<b>Top</b>					
9 X 2000	7 1/16 X 2000	16	7 15/16	6 1/2	7 1/32	
9 X 2000	7 1/16 X 3000	16	7 15/16	6 1/2	7 1/32	
9 X 2000	7 1/16 X 3000	16	7 15/16	6 13/16		7 1/32
9 X 3000	7 1/16 X 5000	16	8 1/16	6 13/16		7 1/32
11 X 2000	7 1/16 X 2000	16	8 1/16	6 13/16		7 1/32
11 X 2000	7 1/16 X 3000	16	8 1/16	6 13/16		7 1/32
11 X 3000	7 1/16 X 3000	19 1/2	10 1/2	6 13/16		7 1/32
11 X 3000	7 1/16 X 5000	22 7/8	12 3/8	6 13/16		7 1/32
11 X 5000	7 1/16 X 5000	23 1/2	10 3/4	6 13/16		7 1/32
11 X 2000	9 X 2000	16	8 1/16	8 1/16	8 3/4	
11 X 2000	9 X 3000	16	8 1/16	8 1/16	8 3/4	
11 X 3000	9 X 3000	19 1/2	10 1/2	8 1/16	8 3/4	
11 X 3000	9 X 5000	22 7/8	12 3/8	8 1/16	8 3/4	
11 X 5000	9 X 5000	25	12 3/4	8 1/16	8 3/4	
11 X 5000	7 1/16 X 10000	25	12 3/4	6 9/16	7 1/32	
11 X 5000	9 X 10000	25	12 3/4	8 1/16	8 3/4	
11 X 10000	7 1/16 X 10000	26 3/8	12 3/4	6 3/8	7 1/32	
11 X 10000	7 1/16 X 15000	27 3/8	12 3/4	6 3/8	7 1/32	

NOTE:

All Dimensions are in Inches.