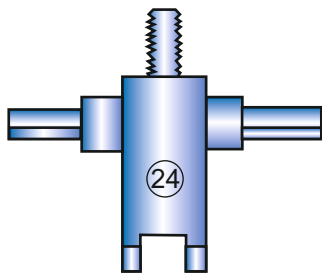
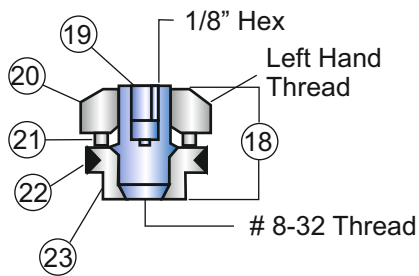


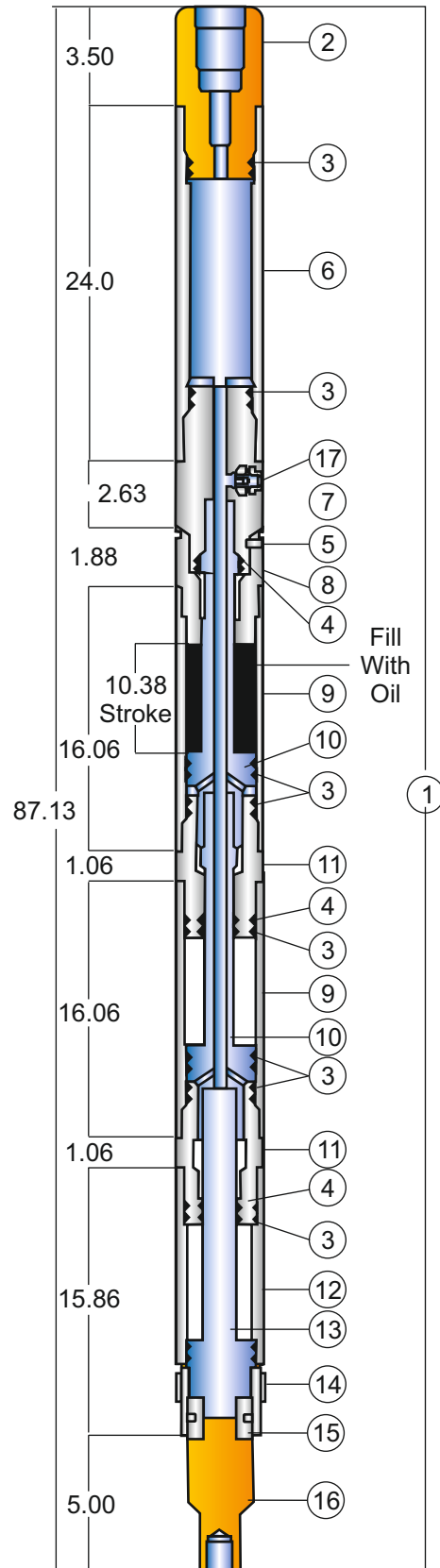
1.718" OD MULTI-STAGE SETTING TOOL



**Bleeder Wrench
WST-2125-146**



**Bleeder Valve Assy.
WST-2125-142**





1.718" OD MULTI-STAGE SETTING TOOL

Parts List

Item	Part Number	Req	Description
1	WST-1718-001		Assy. - 1.71" O.D. Multi Stage Setting Tool- Top Connection To Fit "GO" 1-7/16" O.D. High Pressure Firing Head- Incl. Items 2-16
2	WST-1718-020	1	Top Sub
3*	000-N569-216	18	O- Ring- 90 Duro
4*	000-N569-216	6	O- Ring- 90 Duro
5*	052-5304-003	1	Brass Shear Screw - Approx. 2300 Lbs Shear
6	WST-1718-021	1	Power Chamber
7	WST-1718-028	1	Shear Sub - Non Ported
8	WST-1718-023	1	Orifice Sub
9	WST-1718-024	2	Top Cylinder
10	WST-1718-025	2	Top Piston
11	WST-1718-126	2	Connector Sub
12	WST-1718-127	1	Bottom Cylinder
13	WST-1718-128	1	Bottom Piston
14	WST-1718-030	1	Lock Ring
15	WST-1718-1300	1	Safety Release Nut- 25,000 Lbs. Weak Point
16	WST-1718-131	1	Bottom Adapter
*	WST-1718-110		O- Ring Kit - 325° - For WST-1718-101 Incl. Items 3,4,5,22,23-

Optional Equipment Not Included In Assy. WST-1718-101

Item	Part Number	Req	Description
17	WST-1718-002	1	Shear Sub - Ported For Bleeder Valve
18	WST-2125-142	1	Assy. -bleeder Valve - Items 19-23
19	WST-2125-143	1	Stem
20	000-2125-144	1	Retainer Nut
21	WST-2125-145	1	Seat
22	000-N569-111	1	O- Ring - 901 Duro
23	000-N569-006	1	O- Ring - 901 Duro
24	WST-2125-146		Bleeder Wrench

Tool total stroke: 10.45 in.
 Tool piston area: 2.22 in.²
 Tool max. Pull: 13,000 lbs. At 6.91 inch stroke
 Unported tool max. Hydrostatic pressure: 15,000 psi
 Ported tool max. Hydrostatic pressure: 10,000 psi