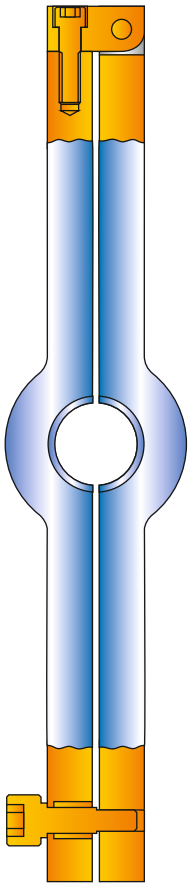




FISHING BAR CLAMP

The PARVEEN Toolstring Clamp is placed around standard toolstring fishing necks. The supporting arms rest on the box section of the wireline valve or riser to allow extended toolstring make-up.

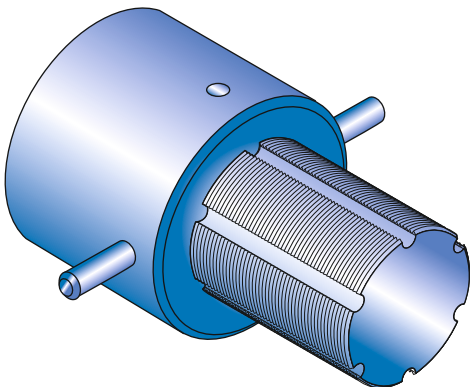


FISHING BAR CLAMP

FISHING BAR CLAMP		
Toolstring Dia. (in)	F/N O.D. (in)	Part No.
1.250	1.187	12231-1187
1.500	1.375	12231-1375
1.875 - 2.125	1.750	12231-1750
2.500	2.312	12231-2312

THREAD CHASER

The PARVEEN Thread Chaser is a must for all wireline toolboxes. It is designed to redress sucker rod connections when minor damage has occurred.



THREAD CHASER

THREAD CHASER	
Pin X Box	Part Number
15/16" - 10 UN	322-11
1-1/16" - 10 UN	322-22
1-9/16" - 10 UN	322-33