

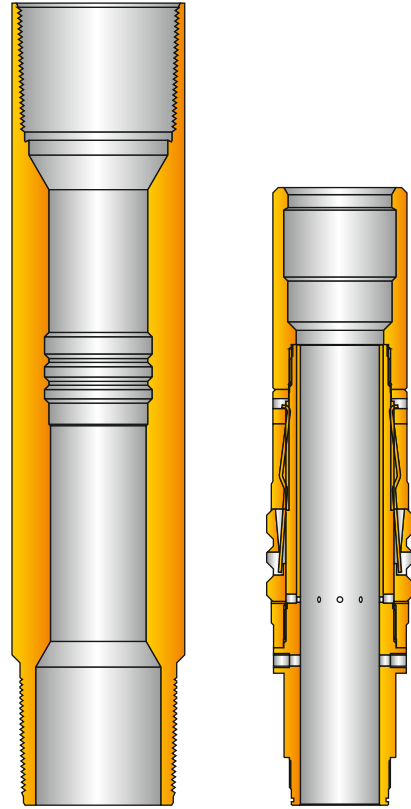
## PARVEEN 'RPT' NO-GO LANDING NIPPLE AND LOCK MANDREL

PARVEEN RPT no-go landing nipple system provides a mean to run a series of positive location landing nipples in a tubing string with minimum restriction. PARVEEN RPT no-go landing nipples are designed to accept PARVEEN RPT lock mandrels with a rated working pressure of 10,000 psi (690 bar) differential from above and below.

The PARVEEN RPT no-go lock mandrel locates on top of the nipples polished bore; therefore, there are no secondary restrictions normally associated with bottom no-go profiles. This feature makes PARVEEN RPT system well suited for high pressure, high volume, large bore completions. PARVEEN RPT lock mandrels in any given size range are designed to use the same running tool and pulling tool.

### Features

- Large bore
- Lock mandrel locates on top of the nipples polished bore
- Landing nipples can accept PARVEEN RPT lock mandrels with a rated working pressure of 10,000 psi (690 bar) differential from above and below
- A series of profile IDs are established for common tubing strings by size and weight



**"RPT" TYPE NO-GO LANDING NIPPLE  
AND LOCK MANDREL**



## ‘RPT’ LANDING NIPPLES AND LOCK DIMENSIONS

TUBING SIZE		NIPPLE PROFILE		LOCK MANDREL			
		SEALBORE (MIN. ID)		ID		OD	
in.	mm	in.	mm	in.	mm	in.	mm
2 3/8	60.33	1.500	38.10	0.75	19.05	1.560	39.62
		1.625	41.28			1.685	42.80
		1.781	45.24			1.841	46.76
		1.875	47.63			1.935	49.15
		2.000	50.80			2.060	52.32
		2.125	53.98			2.185	55.5
2 7/8	73.03	2.000	50.80	1.12	28.45	2.060	52.32
		2.125	53.98			2.185	55.5
		2.188	55.58			2.248	57.10
		2.313	58.75			2.373	60.27
		2.482	63.04			2.542	64.57
3 1/2	88.90	2.562	65.07	1.50	38.10	2.622	66.6
		2.650	67.31			2.710	68.83
		2.750	69.85			2.810	71.37
		2.810	71.45			2.860	72.64
		2.875	73.03			2.935	74.55
4 - 4 1/2	101.6 - 114.3	3.000	76.20	1.75	44.45	3.060	77.72
		3.125	79.38			3.210	81.53
		3.125	79.38	1.94	49.28	3.210	81.53
		3.313	84.15			3.395	86.23
4 1/2 - 5	114.3 - 127	3.437	87.30	1.94	49.28	3.520	89.41
		3.562	90.47			3.650	92.71
		3.688	93.68			3.770*	95.76
		3.750	95.25			3.807	96.70
		3.813	96.85			3.895	98.93
		4.000	101.60			4.090	103.89
5 1/2	139.70	4.188	106.38	2.75	69.85	4.270*	108.46
		4.250	107.95			4.332*	110.03
		4.313	109.55			4.395	111.63
		4.437	112.70			4.520*	114.81
		4.500	114.30			4.550	115.57
		4.562	115.87			4.650	118.11
		4.688	119.08	4.760*	120.90		
		4.688	119.08	3.12	79.25	4.760*	120.90
		4.750	120.65			4.825	122.56
		4.813	122.25			4.890	124.21
7	177.80	5.250	133.35	3.68	93.47	5.334	135.48
		5.500	139.70			5.585	141.86
		5.625	142.88			5.710	145.03
		5.750	146.05			5.840*	148.34
		5.813	147.65			5.890*	149.61
		5.875	149.23			5.940	150.88
		5.963	151.46			6.025	153.04
		6.125	155.58			6.180	156.97
		6.250	158.75			6.330	160.78

\* NO-GO OD may not be compatible with next larger size nipple.