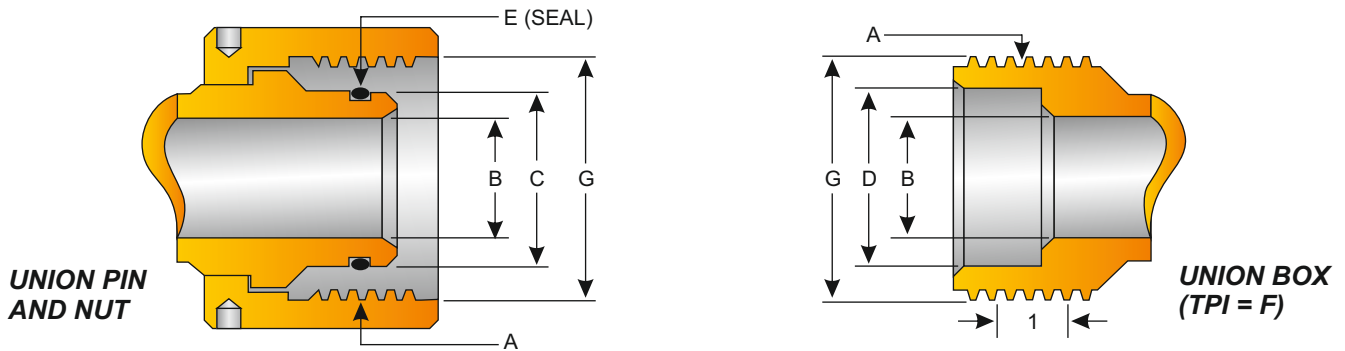




## QUICK UNIONS

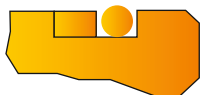
PARVEEN Quick Union Connections are used to assemble lubricators and related equipment and they are designed to be assembled by hand. Otis type and Bowen type designs are commonly used.

An O-ring on the pin section forms the seal when made up into the box. The collar has internal ACME threads to match the external threads on the box. The connection can be made up by hand.



**QUICK UNION IDENTIFICATION CHART**

A	W.P.(PSI)	SERV	B	C	D	E	F	G	PART NO.
5.000"-4 ACME TYPE O	5000	STD	2.50" 3.00"	3.494"	3.500"	50236	4	5.000"	440100
5.000"-4-ACME TYPE O	10,000	STD	2.50" 3.00"	3.494"	3.500"	50338	4	5.000"	440120
5.000"-4 ACME TYPE O	15,000	STD	2.50"	3.494"	3.500"	50338*	4	5.000"	440101
5.750"-4 ACME TYPE O	5,000 10,000	H2S	2.50" 3.00"	3.994"	4.000"	50342*	4	5.750"	440200
6.250"-4 ACME TYPE O	15,000	H2S	2.50"	3.994"	4.000"	50342*	4	6.250"	440301
6.500"-4 ACME TYPE O	5,000 10,000	STD	4.00"	4.744"	4.750"	50348	4	6.500"	440400
7.500"-4 ACME TYPE O	15,000	H2S	3.00"	5.494"	5.500"	50354*	4	7.500"	440701
8.250"-4 ACME TYPE O	5,000 10,000	STD	5.00"	6.182"	6.188"	50435	4	8.250"	440800
8.375"-A ACME TYPE O	5,000 10,000	H2S	4.00"	5.244"	5.250"	50427	4	8.375"	440900
8.750"-4 ACME TYPE O	5,000	STD	6.38"	7.494"	7.500"	50441	4	8.750"	441100
9.000"-4 ACME TYPE O	5,000 10,000	H2S	5.00"	6.744"	6.750"	50438	4	9.000"	441200
9.500"-4 ACME TYPE O	15,000	H2S	4.00"	6.244"	6.250"	50435*	4	9.500"	441601
9.500"-4 ACME TYPE O	5,000	H2S	6.38"	7.994"	8.000"	50443	4	9.500"	441400
11.500"-4 ACME TYPE O	10,000	H2S	6.38"	8.244"	8.250"	50444	4	11.500"	441800
12.000"-4 ACME TYPE O	5,000	H2S	9.00"	10.306"	10.312"	50448	4	12.000"	442100
12.250"-4 ACME TYPE O	15,000	H2S	5.00"	6.994"	7.000"	50439	4	12.250"	442201

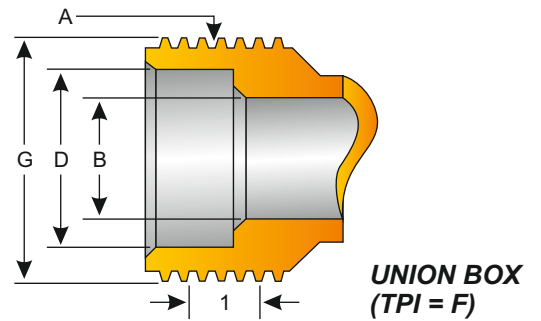
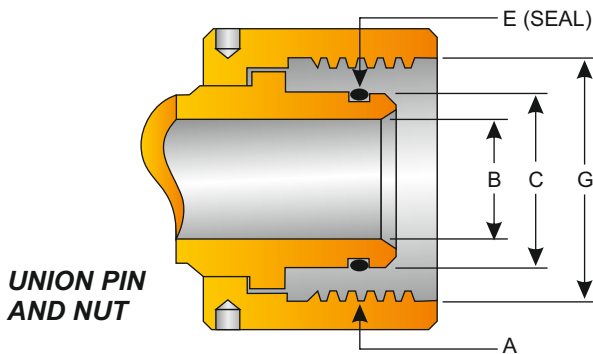


**\* SEAL GROOVE  
WILL HAVE THIS  
CONFIGURATION**

Type O Union Are Interchangeable With Otis Union

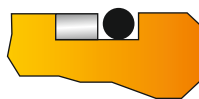
\* OTIS & BOWEN trade name is given for reference only.

## QUICK UNIONS

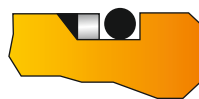


QUICK UNION IDENTIFICATION CHART									
A	W.P. (PSI)	SERV.	B	C	D	E	F	G	PART NO
4.750"-4 ACME TYPE B	5,000	H2S	2.50" 3.00"	3.744"	3.750"	50340	4	4.750"	440110
4.750"-4 ACME TYPE B	10,000	STD	2.50" 3.00"	3.744"	3.750"	50340*	4	4.750"	440111
5.500"-4 ACME TYPE B (DL)	5,000	STD H2S	3.00"	4.369"	4.375"	50345*	4	5.500"	440211
5.500"-4 ACME TYPE B (DL)	10,000	STD	3.00"	4.369"	4.375"	50345*	4	5.500"	440211
6.312"-4 ACME TYPE B	10,000	H2S	2.50" 3.00"	4.369"	4.375"	50345**	4	6.312"	440311
6.312"-4 ACME TYPE B	15,000	STD	2.50"	4.369"	4.375"	50345*	4	6.312"	440312
6.312"-4 ACME TYPE B	15,000	H2S	2.50"	3.744"	3.750"	50340**	4	6.312"	440412
7.000"-5 SA TYPE B	5,000	STD H2S	4.00"	5.244"	5.250"	50427	5	7.000"	440510
7.093"-4 ACME TYPE B	15,000	STD H2S	3.00"	4.744"	4.750"	50348**	4	7.093"	440612
8.250"-4 ACME TYPE B (DL)	10,000	STD H2S	4.00"	5.994"	6.000"	50358*	4	8.250"	440811
8.250"-4 ACME TYPE B (DL)	5,000	STD H2S	5.00"	6.744"	6.750"	50438	4	8.250"	440710
8.875"-4 ACME TYPE B (DL)	10,000	STD H2S	5.00"	6.494"	6.500"	50437	4	8.875"	441320
9.875"-4 ACME TYPE B (DL)	5,000	STD H2S	6.38"	7.994"	8.000"	50447	4	9.875"	440910

Type B Unions are interchangeable with Bowen Unions.



**\* SEAL GROOVE  
WILL HAVE THIS  
CONFIGURATION**



**\*\* SEAL GROOVE  
WILL HAVE THIS  
CONFIGURATION**