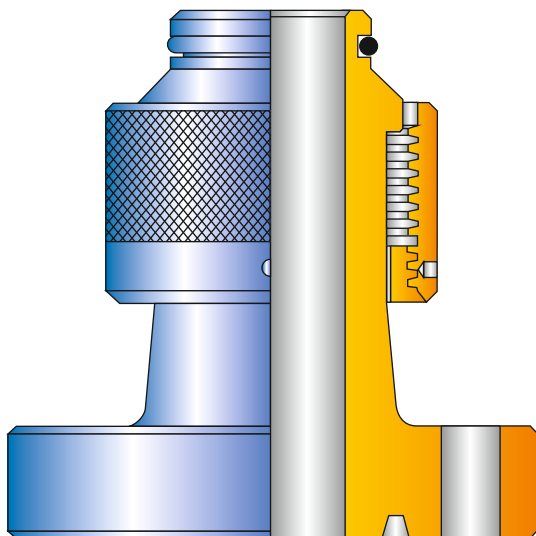
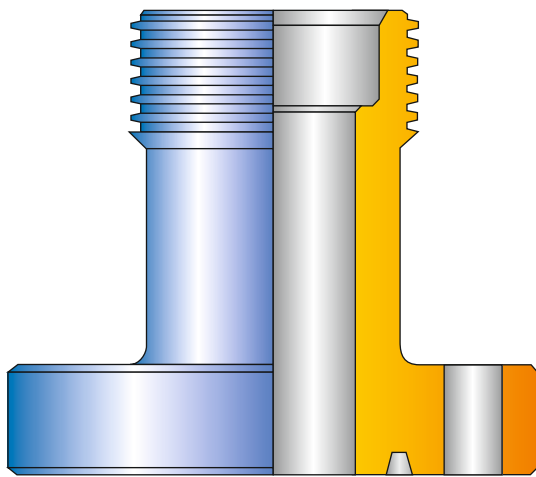




WELLHEAD FLANGE ADAPTERS

PARVEEN Wellhead Flange Adapters are designed to be used in the upper most position on wellheads and therefore enable wireline and other well service operations to be performed through the wellhead into the well bore.

PARVEEN Wellhead Flange Adapters are available in various bore sizes and with quick union connections compatible with Bowen and Otis type quick unions. Additionally, flange/adapters are supplied for standard or H2S service and working pressures up to 15,000 PSI.



FLANGE ADAPTERS

| WELLHEAD FLANGE ADAPTERS | | | |
|---------------------------------|-------------|------------|-----------|
| Service | I.D. (inch) | W.P. (PSI) | Part No.. |
| H2S | 2.06 | 5,000 | 5115XX0 |
| STD | 2.06 | 10,000 | 5111XX1 |
| H2S | 2.50 | 5,000 | 5125XX0 |
| STD | 2.50 | 10,000 | 5121XX1 |
| H2S | 3.00 | 5,000 | 5135XX0 |
| STD | 3.00 | 10,000 | 5131XX1 |
| H2S | 2.56 | 5,000 | 51115XX0 |
| STD | 2.56 | 10,000 | 51111XX1 |
| STD | 2.06 | 15,000 | 5114XX1 |
| STD | 2.50 | 15,000 | 5124XX1 |
| H2S | 2.06 | 10,000 | 5111XX0 |
| H2S | 2.50 | 10,000 | 5121XX0 |
| H2S | 2.56 | 10,000 | 51111XX0 |
| H2S | 3.00 | 5,000 | 5131XX0 |
| H2S | 3.06 | 5,000 | 51125XX0 |
| H2S | 3.12 | 15,000 | 51135XX0 |
| H2S | 2.06 | 15,000 | 5114XX0 |
| H2S | 2.50 | 15,000 | 5124XX0 |
| H2S | 3.00 | 10,000 | 5134XX0 |
| H2S | 3.06 | 10,000 | 51121XX0 |
| H2S | 4.00 | 5,000 | 5141XX0 |
| STD | 2.06 | 5,000 | 5115XX1 |
| STD | 2.50 | 5,000 | 5125XX1 |
| STD | 3.00 | 5,000 | 5135XX1 |
| STD | 3.12 | 10,000 | 51135XX1 |
| STD | 3.06 | 5,000 | 51121XX1 |
| STD | 4.00 | 5,000 | 5145xx1 |
| STD | 4.00 | 10,000 | 5141xx1 |

Notes:

- Refer to the Quick Union identification chart on page no. 16 & 17 for end connections.
- Flange sizes & type: Customer to specify as per API 6A
- Other sizes available on request